

Ultronic™ Plus & Premium Touchless Automatic Hand Dryers

Features

- › Exceptionally quiet high-speed hand dryer at 76 db(A) with an optional “quiet-mode” to reduce noise even more 68 db(A)
- › Advanced touchless technology turns unit on and off as hands are sensed
- › 12 second high-speed drying times
- › HEPA filter plus UV light and ion generator for air purification
- › Five-year warranty
- › Trouble free operation
- › Simple plug & play installation with mounting plate

Ultronic™ Premium
Stainless Steel



Ultronic™ Plus
Alpine White Polycarbonate

Models

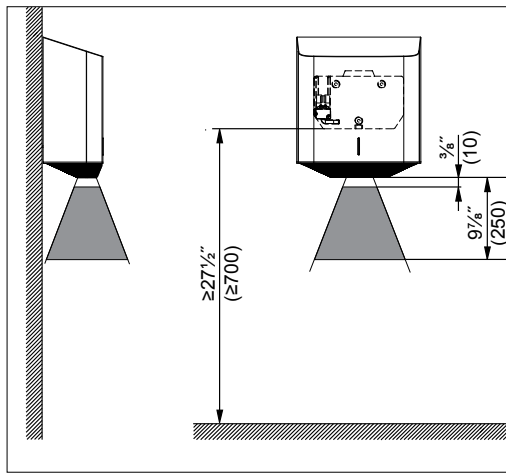
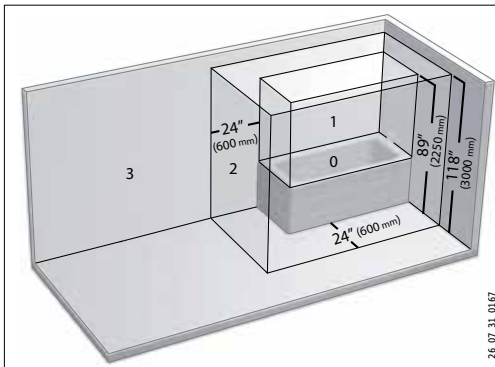
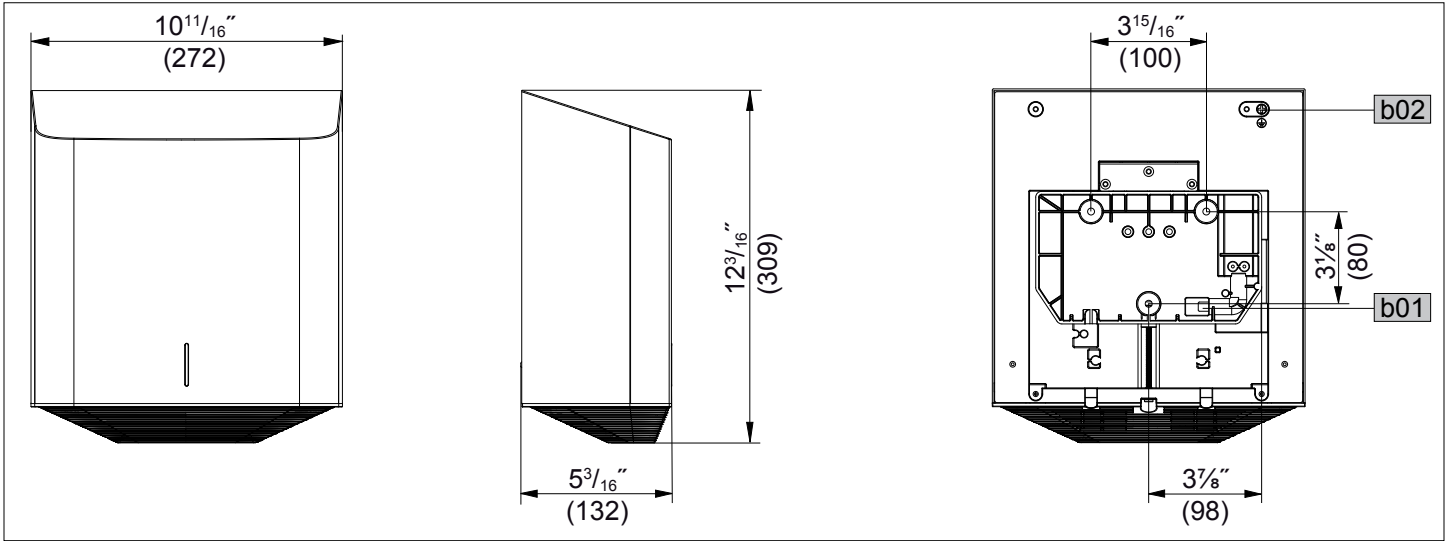
Hand Dryer Model	Ultronic™-1 Plus	Ultronic™-1 Premium	Ultronic™-2 Plus	Ultronic™-2 Premium
Item number	205634	205636	205635	205637
ELECTRICAL DATA				
Phase - 60/50 Hz	single	single	single	single
Voltage	120 v	120 v	240 v or 208 v	240 v or 208 v
Wattage	820 w	820 w	750 w 640 w	750 w 640 w
Amperage	6.8 A	6.8 A	3.5 A 3.5 A	3.5 A 3.5 A
Required circuit breaker size ¹	15 A	15 A	15 A	15 A
Required wire size ²	16 AWG	16 AWG	18 AWG	18 AWG
DIMENSIONS				
Height	12 ³ / ₁₆ " (309 mm)	12 ³ / ₁₆ " (309 mm)	12 ³ / ₁₆ " (309 mm)	12 ³ / ₁₆ " (309 mm)
Width	10 ¹¹ / ₁₆ " (272 mm)	10 ¹¹ / ₁₆ " (272 mm)	10 ¹¹ / ₁₆ " (272 mm)	10 ¹¹ / ₁₆ " (272 mm)
Depth	5 ³ / ₁₆ " (132 mm)	5 ³ / ₁₆ " (132 mm)	5 ³ / ₁₆ " (132 mm)	5 ³ / ₁₆ " (132 mm)
WEIGHT				
Weight	6.2 lb (2.8 kg)	8.8 lb (4.0 kg)	6.2 lb (2.8 kg)	8.8 lb (4.0 kg)
CONSTRUCTION				
Color	Alpine White	Stainless Steel	Alpine White	Stainless Steel
Housing	Polycarbonate	Stainless Steel	Polycarbonate	Stainless Steel
Degree of protection (IP)	IP X3			
OTHER				
Sound level	76 dB(A) @ 1m (68 dB(A) @ 1m in quiet-mode)			
Air speed	215 mph (96 m/s)			
Air volume	49.5 CFM			
Drying time	10-12 seconds			



Intertek

Conforms to UL Std. 50
Certified to CAN/CSA
Std. C22.2 No. 113

Dimensions



Categories of people	Mounting height*
Adult man	55" (1400 mm)
Adult woman	53 $\frac{3}{4}$ " (1365 mm)
Children 5-8 years old	40 $\frac{1}{2}$ " (1028 mm)
Children 8-11 years old	44 $\frac{1}{2}$ " (1128 mm)
Children 11-14 years old	47 $\frac{1}{2}$ " (1208 mm)
Wheelchair users	45 $\frac{1}{4}$ " (1150 mm)

* Mounting height indicates the distance between the top drill holes and the floor.

- 0 DANGER ZONE: do not install unit in bathtubs showers, or wash basins.
- 1 DANGER ZONE: do not install directly above bathtubs or showers.
- 2 DANGER ZONE: do not install within 24" of bathtubs or showers
- 3 SAFE AREA: unit must be installed in this area, outside of DANGER ZONES 2, 1 and 0.

Specification

Ultron™ hand dryers shall be manufactured by Stiebel Eltron, Inc. to include a cover of polycarbonate (Plus) or stainless steel (Premium). Motor shall be maintenance free DC type. Unit shall have an IP degree of protection of IPX3. Dryer shall deliver 49.5 cubic feet per minute of air volume at an air speed of 215 mph and shall be activated by an infrared sensor automatically detecting hands when present. Hand dryer shall be equipped with HEPA filter plus UV light and ion generator for air purification. Hand dryer shall be listed under ETL as conforming to UL Std. 50 and be certified to CAN/CSA Std. 22.2 No. 113.

Engineer/Architect _____	Date _____		
Job Name/Customer _____	Location _____		
Contractor _____	Representative _____		
Qty _____	kW _____	Voltage _____	Amps _____
Hand dryer model _____	_____	_____	_____